

HYDRAULIC OVERLOAD PROTECTION



Triple overload protection system

Assures high safety material handling

Full overload protection in all mast sections

EASY TO INSTALL

REDUCE SERVICE

SITE SAFETY INCREASES

Hydraulic overload protection system for electric pallet truck and forklift trucks

Features

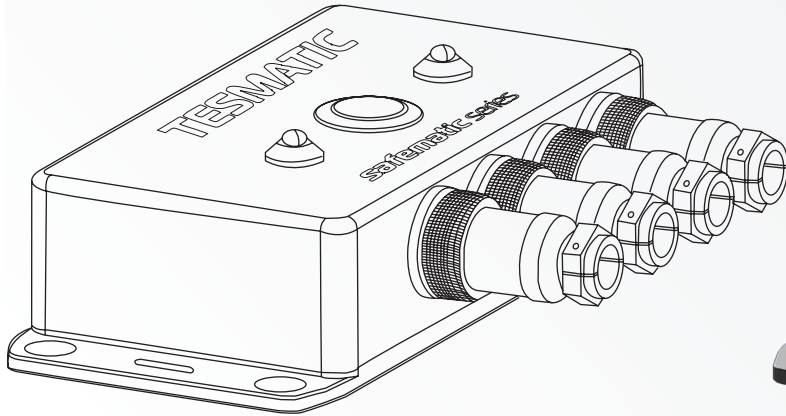
- Protects the forklift against overload in all mast sections.
- Reduces the maintenance and service costs on forklift and attachments.
- Assures an increased site safety.
- Prevents damage on material.
- Integrated audible and visual alarm.
- Includes two relay outputs for overload actions like external audible or visual alarm, or to interface with forklift [speed limitation, etc.].
- No limitations of the normal use of the forklift.
- Suitable for Gas, Diesel and Electrical forklifts.
- Does not affect the forklift lifting capacity.
- High quality components.
- Can be tailormade for specific needs.

Increase site safety

Increase site safety and reduce maintenance costs with the Safematic XD Overload Protection System.

The Safematic XD provides an integrated full mast overload protection that will warn the operator every time the forklift is overloaded. The system both executes a visible and audible overload warning, and can be configured to activate an overload action on the forklift like an automatic lowering of the forks, preventing the lifting unit from driving with overload or a speed reduction.

HYDRAULIC OVERLOAD PROTECTION



How it works

The Safematic XD Overload Protection System warns the operator that the set lifting limit has been exceeded by measuring the pressure in the lifting hydraulics.

When the forklift operator attempts to lift above the pre-set lifting limit both the integrated audible and visual alarms and the electric relays will be activated. The relays could activate a speed reduction, an automatic lowering of the forks or similar forklift action. Fully adjustable, does not affect hydraulic lifting performance and improves site safety.




The Safematic XD Overload Protection System is calibrated in all mast sections providing full overload protection wherever the load may be lifted from.

The system also work on electrical pallet truck, wheel loaders and front loaders.

Technical specifications

Capacity	: Same as truck
Accuracy	: +/-2% of the capacity
Power supply	: 9-35 VDC
Temperature range	
Operation	: -10° - +50° C
Storage	: -20° - +50° C
Protection class	: IP 66

Options

-  VISUAL ALARM
-  ACOUSTIC ALARM
-  INDUCTIVE SENSORS

-  DATA REGISTER OPTIONS

-  TAILORMADE

TESMATIC TECHNOLOGIES

ES 46183 Valencia - Spain

Tel. (+34) 629 83 77 84

E-MAIL sales@tesmatic.co

TESMATIC
TECHNOLOGIES